

*Hallmark*



*Keeping families warm for over 60 years*

**BOYERTOWN FURNACE COMPANY**



# Thank you...

for considering the Hallmark Furnace. Since it first went into production in 1939, the Hallmark Furnace has delivered the finest quality and engineering innovations available in a warm air furnace. Our commitment to customer service and satisfaction at all levels is well known in the industry. By "listening" to our customers, we have been able to make engineering improvements

based on the direct input of the professionals who sell, install, and service warm air furnaces. Our engineers are constantly developing and incorporating the latest advancements to assure that the Hallmark Furnace meets current oil heating standards. Your oil dealer will tell you that the Hallmark is one of the most serviceable units available.

As a homeowner, you trust your oil dealer to provide heating equipment to keep your family warm on the coldest winter nights ..... and your oil dealer trusts the Hallmark to deliver the comfort, performance, and reliability that his customers deserve.

# Choice



*Kiln-fired ceramic combustion chamber*



# Quality Insured

Like most companies, we put our guarantee in writing. But we take it a step further and instill the same standards in the minds and hearts of our employees. Each person is empowered to stop production if they see something which does not meet our standards of excellence.

A plant-wide "Quality Assurance Program" defines the standards against which every part and assembly is measured. Each heat exchanger is 100% mechanically tested, utilizing advanced technology to safeguard against defects.

Every furnace is inspected at final assembly and rechecked against stringent criteria before shipping. Our one goal is for you to receive your Hallmark with "Quality Insured."

## Serviceability



Oil dealers love our definition of "serviceability." A generous 11" x 17" opening gets you right to the heart of our heat exchanger. Combine that with access through either our front or rear flue, and there is not one square inch of this heat exchanger that cannot

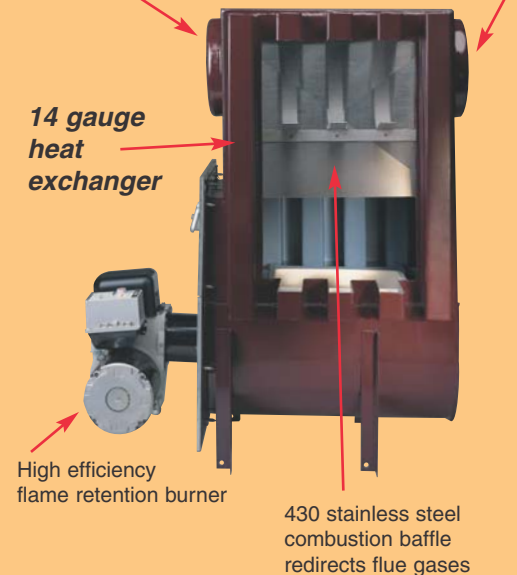
be routinely cleaned and maintained.

Externally mounted controls and burner allow technicians full access to easily adjust and set our equipment properly.



*Low Boy, High Boy, and Counterflow models available with Beckett, Riello, and Carlin burners. Horizontal furnaces available with Beckett Burners only.*

**Two flues** means you always have the right furnace! With front and rear flue outlets, the Hallmark fits **any** installation.



**Plus ....**

- **Limited Lifetime Warranty**
- Every Hallmark Furnace is packed in exclusive wood crating for easier handling and superior shipping protection
- Belt and direct drive units are available

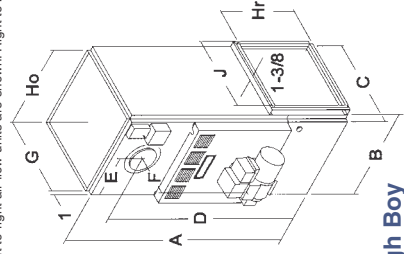
# Specifications

Model	Low Boy						High Boy						Horizontal			CF <sub>3</sub>
	LB85	LB85	LB115	LBD115	LB145/160	LBD145/160	LB85	HBD85	HB115	HBD115	HB145/160	HBD145/160	HSD84	HSD112	HSD140	
B.T.U.H. Input	105,000	105,000	140,000	140,000	175,000	175,000	105,000	105,000	140,000	140,000	175,000	175,000	105,000	140,000	175,000	105,000
B.T.U.H. Output	88,000	88,000	115,000	115,000	145,000	145,000	86,000	86,000	114,000	114,000	145,000	145,000	84,000	112,000	140,000	86,000
Nozzle Beckett AFG @ 140 psi	.65 80" A	.65 80" A	.85 80" A	.85 80" A	1.00 80" B	1.00 80" B	.65 80" A	.65 80" A	.85 80" A	.85 80" A	1.00 80" B	1.00 80" B	0.85 80" A	0.75 80" A	0.90 80" A	.65 80" A
Nozzle Rielco 40 Series @ 160 psi	.65 60" W	.65 60" W	.85 60" W	.85 60" W	1.00 60" W	1.00 60" W	.65 60" W	.65 60" W	.85 60" W	.85 60" W	1.00 60" W	1.00 60" W	-	-	-	.65 60" W
Nozzle Carlin EZ-1 @ 140 psi	.65 70" W	.65 70" W	.85 70" B	.85 70" B	1.00 70" B	1.00 70" B	.65 70" W	.65 70" W	.85 70" B	.85 70" B	1.00 70" B	1.00 70" B	-	-	-	.65 70" W
Flue Size (inches)	6	6	6	6	8	8	6	6	6	6	8	8	6	6	8	6
AFUE Seasonal Efficiency	82.6%	82.6%	80.0%	80.0%	83.2%	83.2%	81.4%	81.4%	80.7%	80.7%	83.9%	83.9%	78.8%	79.3%	78.5%	83.0%
Filter Size	16 x 20	16 x 20	20 x 20	20 x 20	1-16 x 20 1-20 x 20	1-16 x 20 1-20 x 20	16 x 20	16 x 20	20 x 20	20 x 20	20 x 25	20 x 25	20 x 20	20 x 20	20 x 25	2-14 x 20
Blower Size	100-10DD	100-10DD	110-10DD	110-10DD	120-12BD	120-12BD	100-10DD	100-10DD	110-10DD	110-10DD	120-12BD	120-12BD	100-8DD	110-9DD	100-10DD	100-10DD
Blower Motor	1/3Hp	3/4Hp	1/2Hp	3/4Hp	3/4Hp	1Hp	1/3Hp	3/4Hp	1/2Hp	3/4Hp	3/4Hp	1Hp	3/4Hp	3/4Hp	3/4Hp	3/4Hp
Motor Pulley	3-1/2"	-	3-1/2"	-	3-1/2"	3-1/2"	3-1/2"	3-1/2"	3-1/2"	3-1/2"	3-1/2"	3-1/2"	-	-	-	-
Turns on Motor Pulley	2-1/2	-	1-1/2	-	2	2	2-1/2	2-1/2	3	3	1-1/2	1-1/2	-	-	-	-
Blower Pulley	6"	-	6"	-	6"	6"	6"	6"	5"	5"	6"	6"	-	-	-	-
Belt	38	-	39	-	37	37	39	39	37	37	42	42	-	-	-	-
CFM @ .20" W.C.	1105	1350	1400	1713	1969	1969	1151	1484	1418	1711	1925	1925	1226	1792	1920	1400
MED HI	-	1305	-	1598	-	2017	-	1402	-	1586	-	2119	1201	1670	1650	1328
MED LOW	-	1268	-	1452	-	-	-	1323	-	1433	-	-	1176	1546	-	1285
LOW	-	1215	-	N/R	-	1875	-	1273	-	N/R	-	1969	1146	1400	N/R	1203
CFM @ .50" W.C.	-	1215	-	1615	-	1700	-	1292	-	1605	-	2044	1079	1618	1797	1210
MED HI	-	1175	-	1498	-	1862	-	1205	-	1491	-	1896	1064	1480	N/R	1123
MED LOW	-	1142	-	N/R	-	-	-	1126	-	N/R	-	-	1037	1381	-	N/R
LOW	-	1082	-	N/R	-	5	-	1084	-	N/R	-	N/R	1007	N/R	-	N/R
Chilling Capacity (Tons)	-	3	-	4	-	5	-	3	-	4	-	5	2-1/2	4	4-1/2	3
Shipping Weight	385	385	435	435	485	485	350	350	400	400	450	450	225	320	375	350

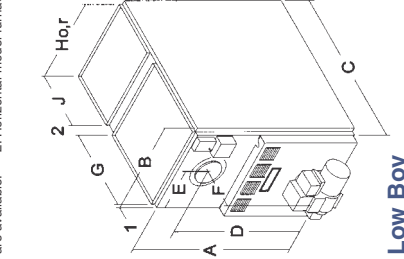
## Dimensions (INCHES)

Dimension	A	B	C	D	E	F	G	H	I	J	K	L	M	N	O	P	Q	R	S	T	U	V	W	X	Y	Z
Cabinet Height	42	42	45	45	45	45	45	45	45	45	45	45	45	45	45	45	45	45	45	45	45	45	45	45	45	45
Cabinet Width	23	23	24	24	24	24	24	24	24	24	24	24	24	24	24	24	24	24	24	24	24	24	24	24	24	24
Cabinet Depth	38	38	42	42	42	42	42	42	42	42	42	42	42	42	42	42	42	42	42	42	42	42	42	42	42	42
Center Line Flue To Floor	35-1/2	35-1/2	38-1/2	38-1/2	37-1/2	37-1/2	37-1/2	37-1/2	37-1/2	37-1/2	37-1/2	37-1/2	37-1/2	37-1/2	37-1/2	37-1/2	37-1/2	37-1/2	37-1/2	37-1/2	37-1/2	37-1/2	37-1/2	37-1/2	37-1/2	37-1/2
Center Line Flue To Side	11-1/2	11-1/2	12	12	12	12	12	12	12	12	12	12	12	12	12	12	12	12	12	12	12	12	12	12	12	12
Depth Of Burner Housing	10	10	10	10	10	10	10	10	10	10	10	10	10	10	10	10	10	10	10	10	10	10	10	10	10	10
Warm Air Supply Depth	20	20	20	20	20	20	20	20	20	20	20	20	20	20	20	20	20	20	20	20	20	20	20	20	20	20
Warm Air Supply Width	21	21	22	22	22	22	22	22	22	22	22	22	22	22	22	22	22	22	22	22	22	22	22	22	22	22
Return Air Supply Width	21	21	22	22	22	22	22	22	22	22	22	22	22	22	22	22	22	22	22	22	22	22	22	22	22	22
Return Air Supply Depth	14-1/8	14-1/8	18-1/8	18-1/8	21-1/2	21-1/2	21-1/2	21-1/2	21-1/2	21-1/2	21-1/2	21-1/2	21-1/2	21-1/2	21-1/2	21-1/2	21-1/2	21-1/2	21-1/2	21-1/2	21-1/2	21-1/2	21-1/2	21-1/2	21-1/2	21-1/2

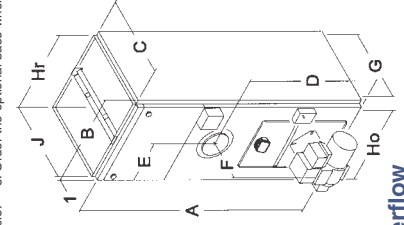
1. Left to right air flow units are shown. Right to left airflow units are available. 2. Horizontal model furnaces are not field reversible. 3. Order the optional base when installing the CF85 on combustible floor. Available with front flue only.



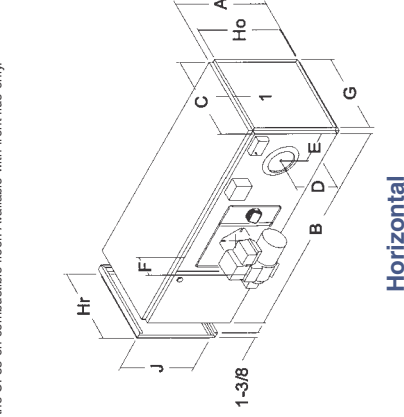
**High Boy**



**Low Boy**



**Counterflow**



**Horizontal**  
(Right discharge shown)



Manufactured by  
**BOYERTOWN FURNACE COMPANY**  
P.O. Box 100  
Boyertown, PA 19512



MEA Approval No. 176-93-E